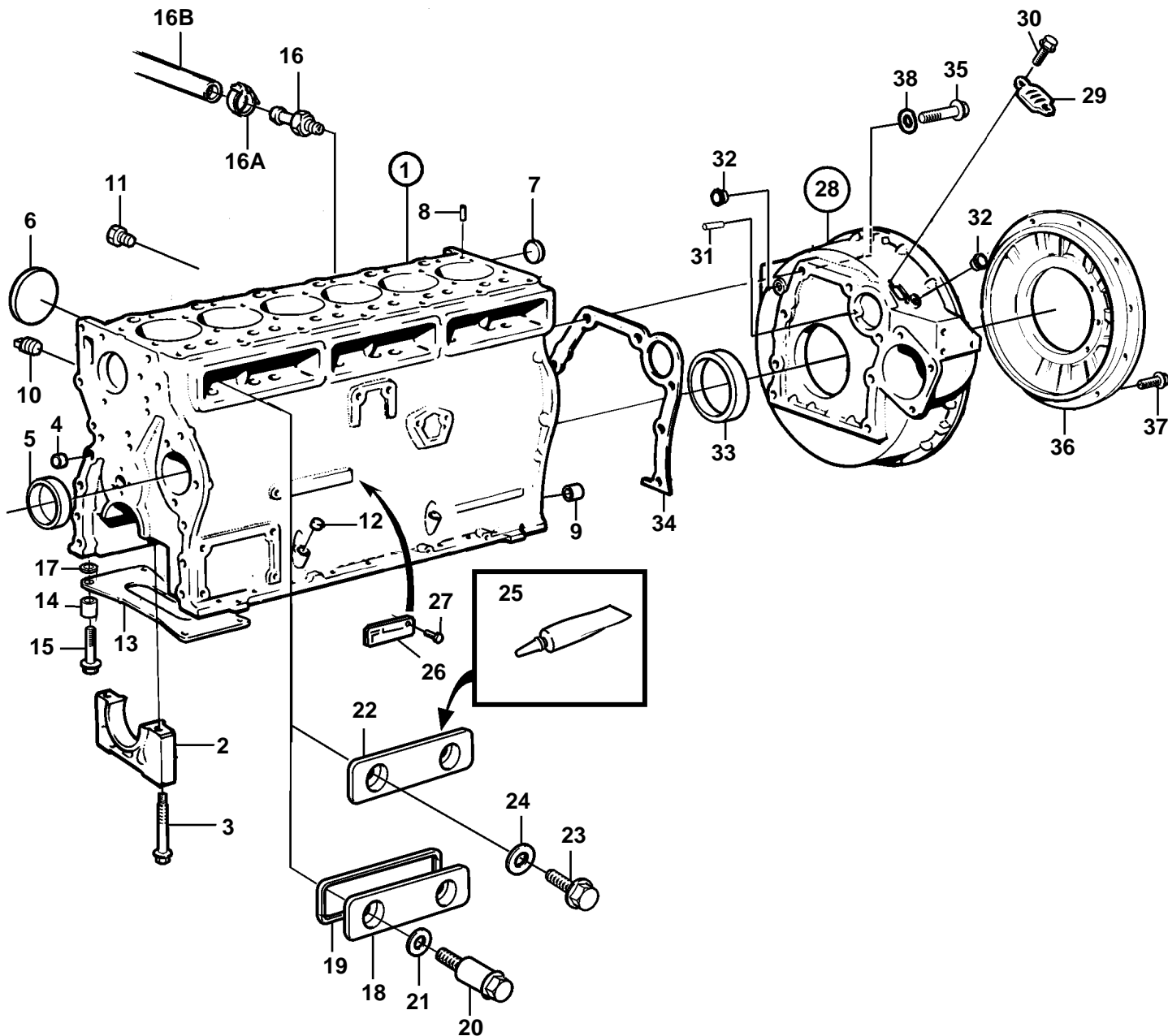


TAMD42WJ-A



18141

TAMD42WJ-A

REF	PART NO.	QTY	DESCRIPTION	NOTES
1	861690	1	Cylinder block	SN-20420116546
				ERS AV 3583103
	3583103	1	Cylinder block	SN20420116547-
2		7	· Main bearing cap	
3	861005	14	· Flange screw	
4	955083	4	· Cap plug	
5	1542067	7	· Bushing	
6	463905	5	· Expansion plug	
7	968955	1	· Expansion plug	(1542263)
8	946402	2	· Pin	
9	415311	3	· Sleeve	
10	479977	2	Plug	
11	479979	5	Plug	
12	955082	2	Cap plug	
13	1545159	1	Foot plate	
14	1545160	4	Spacer sleeve	
15	965187	4	Screw	
16	947893	1	Drain cock	
16A	943470	1	Hose clamp	
16B	952967	1	Rubber hose	
17	3850090	4	Spacer	(1545204)
18	1542050	3	Inspection lid	EARLY TYPE
19	1542052	3	Rubber seal	EARLY TYPE
20	859447	6	Shoulder screw	EARLY TYPE
21	469846	6	Sealing ring	EARLY TYPE
22	877262	3	Inspection lid	LATE TYPE
23	965185	6	· Flange screw	LATE TYPE
24	18666	6	· Gasket	LATE TYPE
25	1161231	X	Sealant	LATE TYPE
	1161277	X	Sealant	LATE TYPE
26		1	Sign	
27		2	Rivet	
28	3581825	1	Flywheel housing	
29	407092	1	Cover	
30	967949	2	Screw	
31	404069	1	Setting indicator	
32	860926	2	Plug	
33	3582851	1	Sealing ring kit	(860971)
34	829487	1	Gasket	
35	965185	6	Flange screw	L=40mm
	965220	2	Flange screw	L=45mm
36	829489	1	Cover	
37	946752	11	Flange screw	
38	941908	8	Spring washer	